

**MICRO SWITCH**  
a Honeywell Division

FED. MFG. CODE 91 929

**SWITCH-BASIC**

CATALOG LISTING

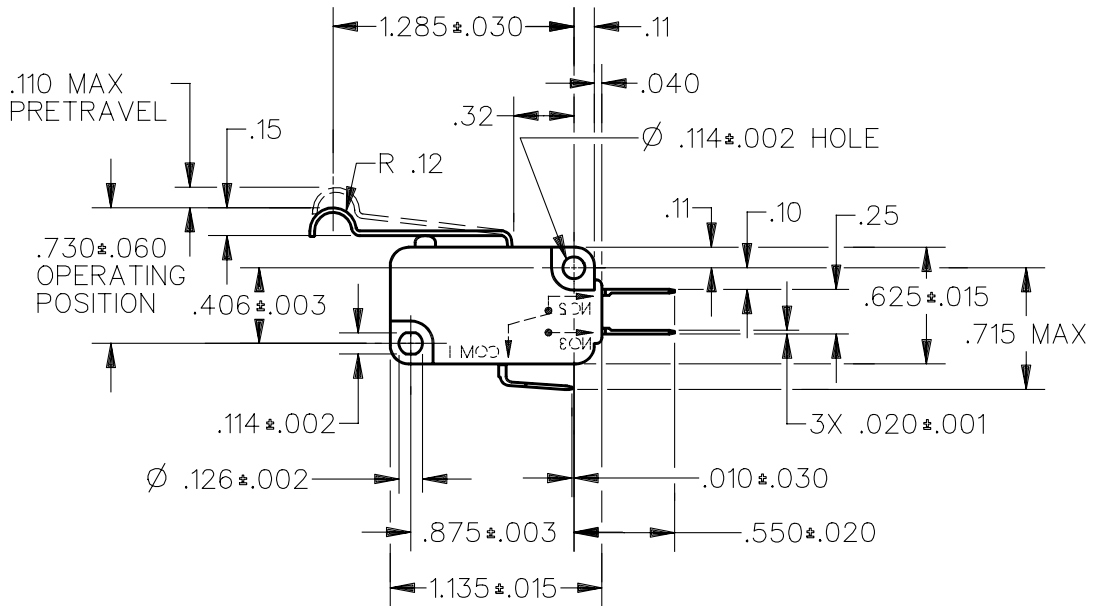
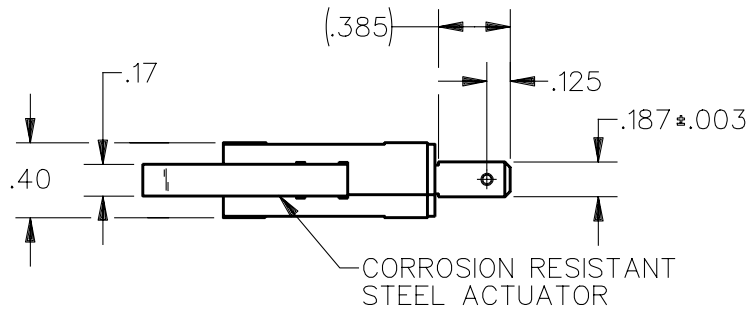
V7-1B17D8-263

CW-B4709

CATALOG LISTING  
 V7-1B17D8-263  
 REPLACES  
 RELEASE NO. PR-19143  
 ISSUE  
**M**  
 2

REVISIONS  
 A CO-71698  
 J A L  
 15 NOV 93

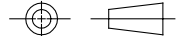
DDM/CAD  
 DRAWN  
 B A B 20 JUN 91  
 CHECK  
 L A D 27 JUN 91  
 CHECK



ANSI Y14.5M-1982 APPLIES

THIS DRAWING COVERS A PROPRIETARY ITEM AND IS THE PROPERTY OF MICRO SWITCH, A DIVISION OF HONEYWELL. THIS DRAWING IS NOT TO BE COPIED OR USED WITHOUT THE APPROVAL OF MICRO SWITCH.

THIRD ANGLE PROJECTION



CHARACTERISTICS	ELECTRICAL DATA	SCALE FULL	DO NOT SCALE PRINT
OPERATING FORCE --- 90 GRAMS MAX	CONTACT ARRANGEMENT S P D T	<b>UNLESS OTHERWISE SPECIFIED TOLERANCES ARE</b> ONE PLACE (.0) ± .030 TWO PLACE (.00) ± .015 THREE PLACE (.000) ± .005 ANGLES ± WEIGHT	
RELEASE FORCE --- 9 GRAMS MIN	L156 11A 1/3HP 125, 250 OR 277 VAC 1/2A 125 VDC, 1/4A 250 VDC 4A 125 VAC "L"		
DIFFERENTIAL TRAVEL --- .030 MAX			
OVERTRAVEL --- .060 MIN			
RELEASE TRAVEL --- .015 MIN			

